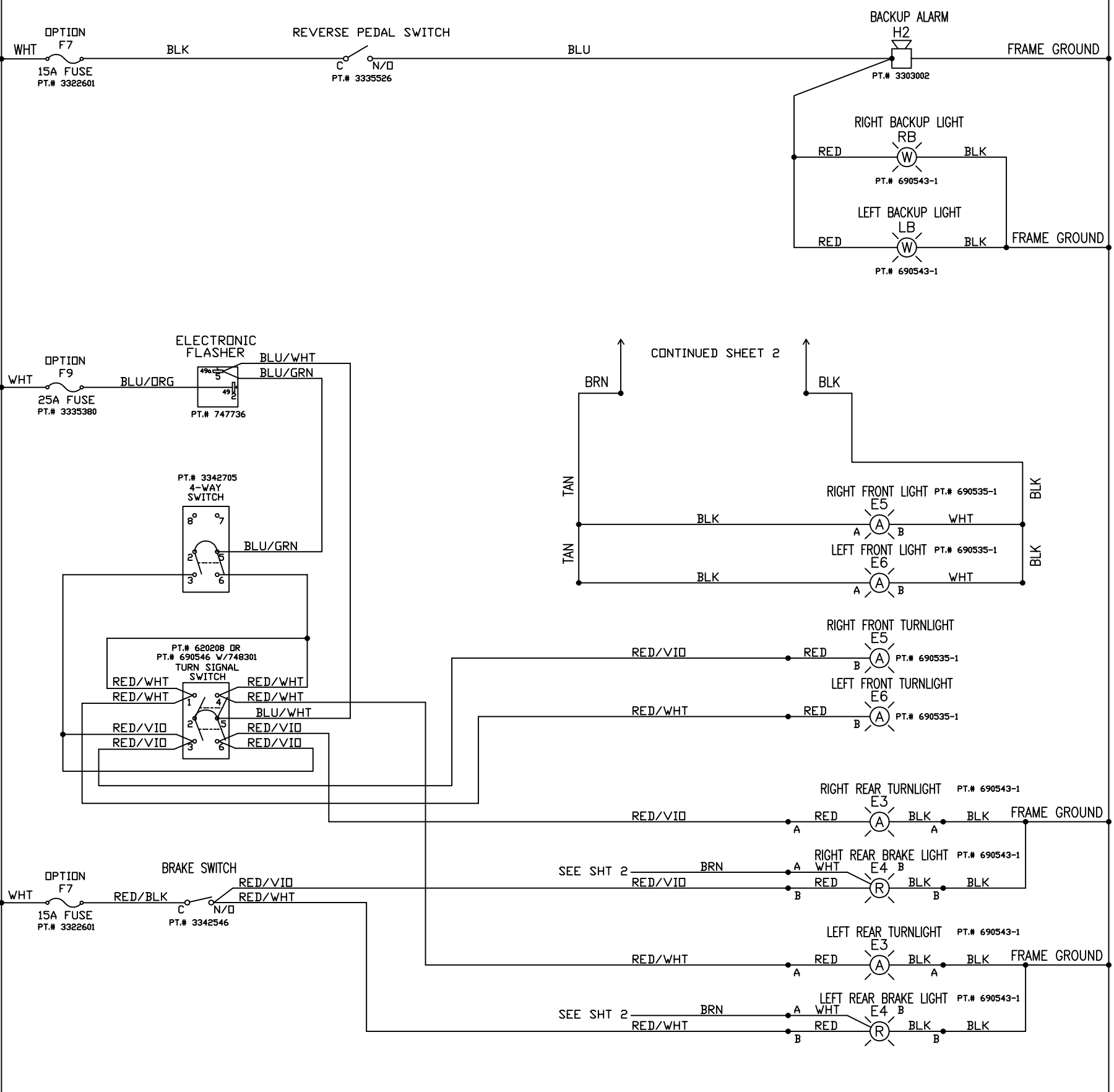


# AM7D/6X LED LIGHTING

WIRING FOR TURN, BRAKE, 4-WAY FLASHERS, BACKUP LIGHTS & ALARM



REV	ECN	DATE	DESCRIPTION	BY	CONFIDENTIAL THIS DRAWING AND ALL INFORMATION CONTAINED HEREIN ARE THE EXCLUSIVE PROPERTY OF MINUTEMAN INTERNATIONAL, INC. THIS DRAWING IS NOT TO BE COPIED OR OTHERWISE REPRODUCED WITHOUT EXPRESSED WRITTEN PERMISSION OF MINUTEMAN INTERNATIONAL, INC. IN ADDITION, THIS DRAWING MUST BE RETURNED UPON REQUEST. FURTHER, ALL INFORMATION CONTAINED HEREIN MUST BE MAINTAINED CONFIDENTIAL.		TITLE	PART NUMBER	REVISION	PAGE NUMBER
B	MIN-13324	08/26/16	UPDATED SCHEMATIC	KHH	<b>Minuteman</b> 14N845 U.S.ROUTE 20 PowerBoss • PINGREE GROVE, IL 60140		SCHEMATIC-ELECTRICAL 6X/7D	3338222	E	4 OF 4
C	150371	08/06/18	UPDATED IGN SW, R2 RELAY & OPTIONS	KHH						
D	150450	11/13/18	UPDATED DUST SUPPRESSION OPTION & PT.#S	KHH						
E	XXXXXX	07/02/19	ADDED TURN/4-WAY/FLASHERS OPTION	KHH						
ELECTRICAL DESIGN ENGINEER J.HUGHES										